



FIX-DIST

Capetti
ELETTRONICA

WSD15
IP67



Mounting kit for laser WSD15IIDIST clinometer.

Kit consisting of a plate for wall mounting and an arm with two degrees of freedom perpendicular to each other. The kit is fixed using wall plugs not supplied with the product.

WSD15IIDIST - Suitable to monitor:

- Building structural movements
- Tunnel deformations
- Bridges and dams stability
- Railroads deformations
- Slopes, land subsidence and landslides
- Embankment stability

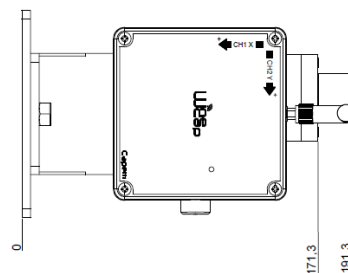
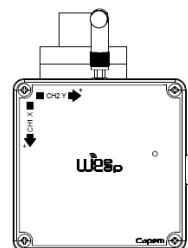
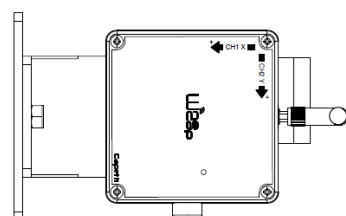
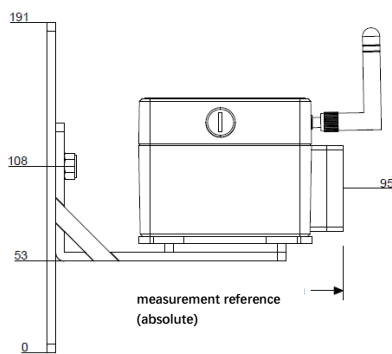
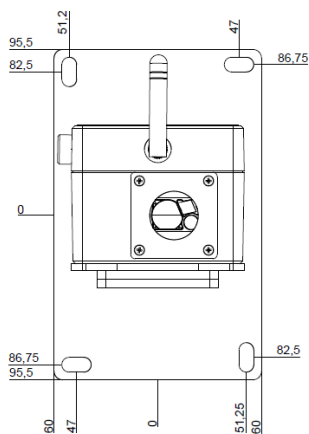
WSD15IIDIST - Main features

- Three-axis MEMS at high accuracy and low noise.
- 655nm class 2 laser
- Free installation in any position
- Sturdy case and impact resistant
- IP67
- Up to 5 years of battery life



General technical specifications

Weight	1,700g
Material	Galvanized iron
Mounting	Wall plugs (<i>not included</i>)



Capetti
ELETTRONICA

The features shown may be subject to change without notice.