

1. Description.

The **WS-ISOBX** is a transportable calibration system for **Capetti Elettronica's** indoor temperature and relative humidity probes/dataloggers.



Picture 1 - Product Image

System is composed by:

- a high-insulation plastic box, equipped with configurable housings up to a maximum of 26 indoor **dataloggers** (*WSD00T model case*). Box ensures a uniform distribution of temperature and humidity for all devices in calibration.
- a reference ACCREDIA certified wireless **datalogger** for humidity and temperature measurement inside the plastic box.

2. Calibration procedure.

- a. Maintain the box open for at least 45 minutes in the environment where calibration process will be done.
- b. Install on a Windows™ PC the **WineCapManager** software.
- c. Enroll reference **WSD02H-T1KM1 datalogger** to the **basestation** where **datalogger/probes** to be calibrated are enrolled.
- d. Place devices to be calibrated inside of **WS-ISOBX**.
- e. Close the cover. Wait for 45 minutes to let the devices stabilize at environment temperature.
- f. Acquired measures must be concurrent (*net of the declared tolerances*) with reference temperature.
- g. At the end of calibration process, unsubscribe reference **datalogger** issuing 5 + 5 command.

3. Technical Information.

Box dimensions	38x36x31cm
Internal cells dimensions	10x3cm - scalable depending on needs.
Maximum number of probes/datalogger can be calibrated (for each calibration session)	26 (WSD00T model case - 80x80x25mm)
Reference temperature and humidity and comparison	Indoor temperature and relative humidity
Reference datalogger	WSD02H-T1KM1
Included accessories	Transportation strap
Assessment time	Probes/dataloggers to be calibrated, must rest in the closed at least for 45 minutes before measurement starting.

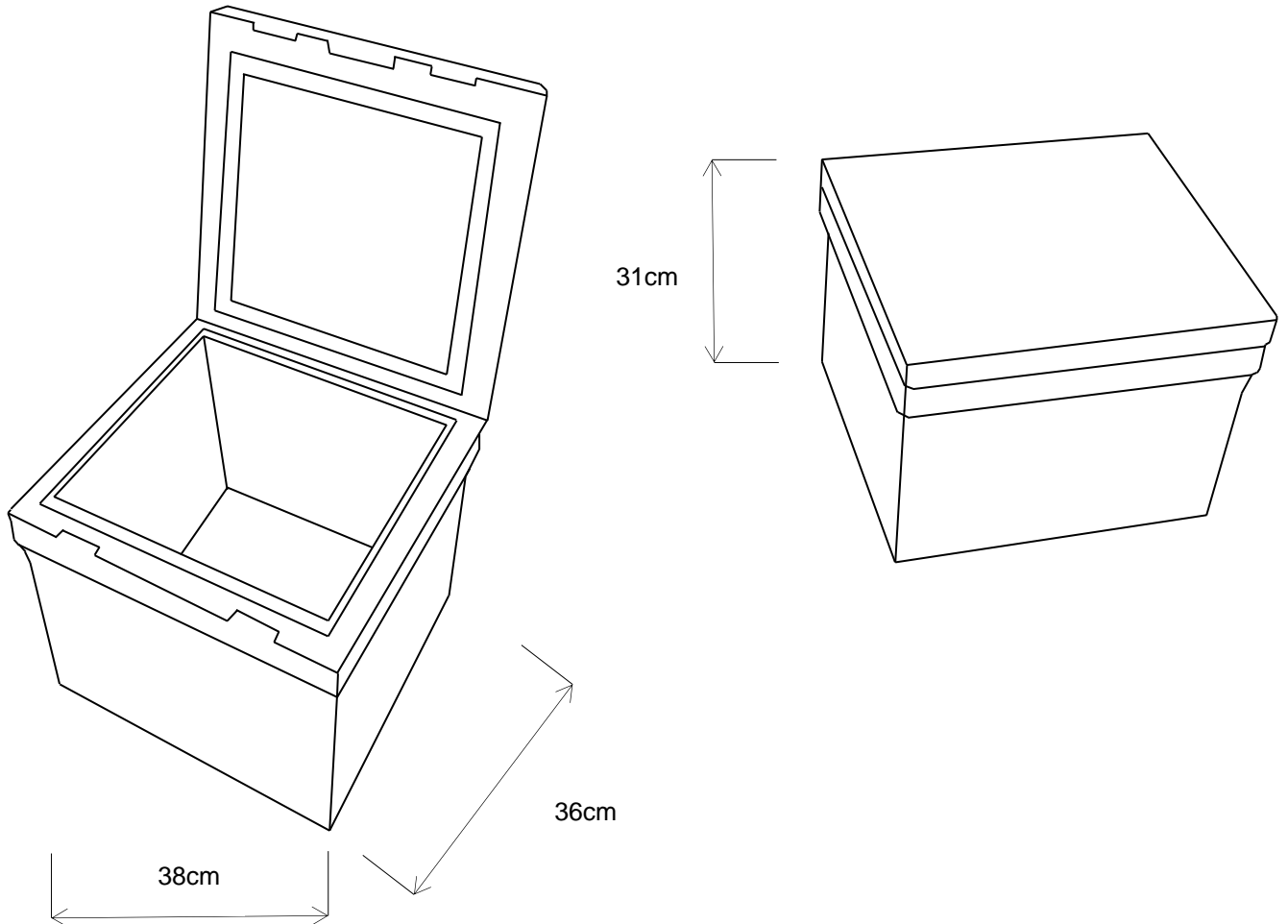
WSD02H-T1KM1

Power supply	2.4A/h - 3.6V type "AA" lithium internal battery
Battery life (*)	Up to 5 years (samples every 10 minutes and radio signal quality at least sufficient)
Measures acquired (2 channels)	<ul style="list-style-type: none"> • Indoor temperature • Relative humidity
Sampling interval (*)	Selectable from two minutes to 24 hours
Datalogger capacity	128,000 samples
Working temperature	<ul style="list-style-type: none"> • Operative: -30°C ÷ +60°C • Warehousing: -40°C ÷ +70°C
Radio frequency	ISM 868MHz
Radio coverage (**)	From 800m up to 12.8Km on sight
Sealing	IP30
Dimensions	80x80x25mm
Weight	100g
Case material	ABS
Temperature - Transducer type	Class A cabled PT1000 (20cm)
Temperature - Measure range	0°C ÷ +40°C
Temperature - Measure accuracy	± 0.2°C - Range 0°C ÷ 40°C
Temperature - Measure resolution	0.01°C
Relative humidity - Transducer type	CMOSens® Technology
Relative humidity - Measure range	0 ÷ 100%
Relative humidity - Measure accuracy	±2.5% from 0 to 90% From 90 to 100% change from ±2.5% to ±3.5% Accuracies are granted between 0°C ÷ 50°C range
Relative humidity - Measure resolution	0.05%RH

* battery life and sampling interval may be influenced by fieldwork conditions and system configuration.

** radio coverage reachable using up to 32 WR12 routers (maximum 16 for each path) between the probe/datalogger and the basestation.

4. Mechanical dimensions.



Picture 2 - Mechanical dimensions

5. Reference standards.

EN 61010 -1

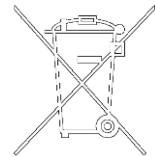
For electromagnetic compatibility

EN 61000 - 3 - 2
EN 61000 - 3 - 3
EN 300 220 -2
EN 301 489 - 03
EN 61000 - 6 -1

This symbol indicates that this product is compliant with the European Directive 2011/65/CE that restricts the use of substances in the manufacturing of electronic devices.



The "WEEE" logo on the label indicates that this product is compliant with the "WEEE" EC Directive. This symbol (valid only in the European Union countries) indicates that the product it is applied to, MUST NOT be discarded with ordinary household or industrial waste, but must be sent to an authorized reception point. The end user should contact the device provider, either the manufacturer or the reseller, in order to agree a collection and disposal process, after having checked the terms and conditions of sale.



The features shown may be subject to change without notice.